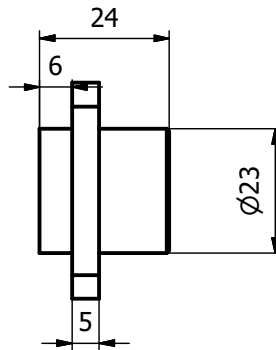
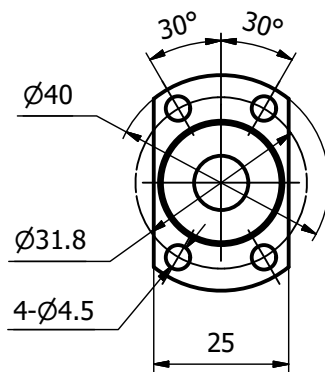
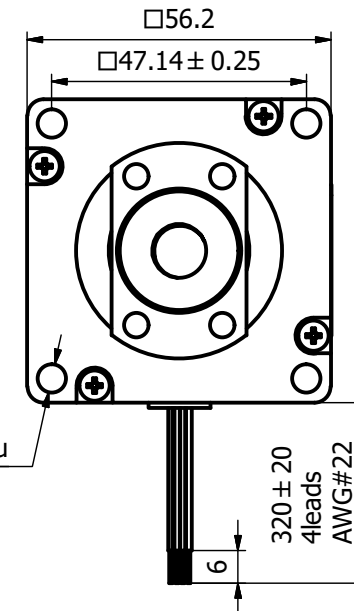
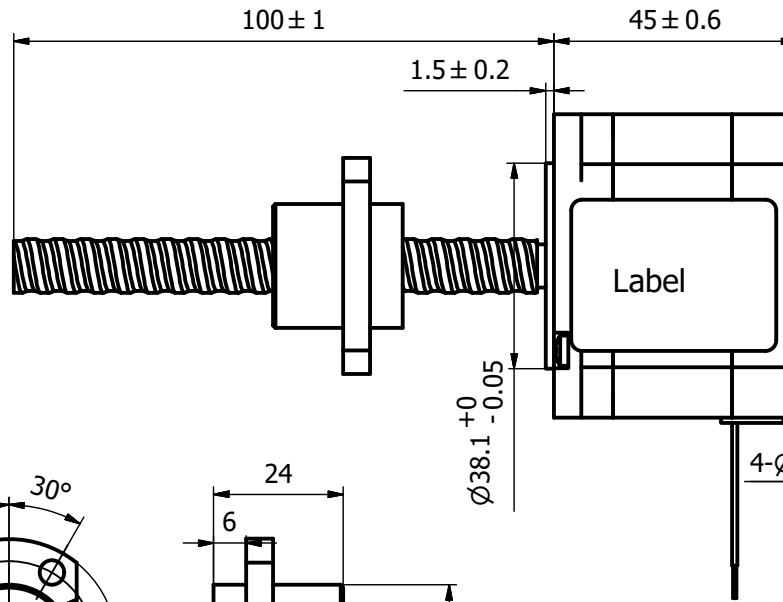
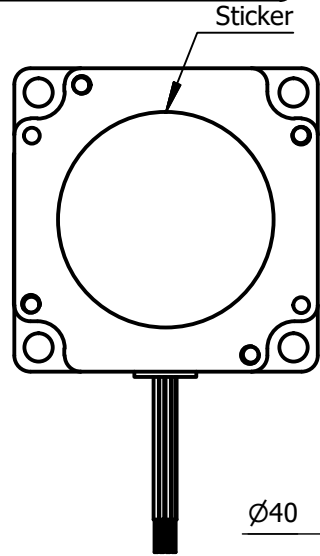


CE 23E2130BS104-100
 DINGS' MOTION
 RoHS Work order
 DATE REV00

REVISION			
REV.	DATE	DESCRIPTION	DRAWN BY



Motor's phase	2
Step angle	1.8°
Rated current/phase	3.0 A
Resistance/phase	0.8Ω±10%
Inductance/phase	1.7 mH±20%
Linear travel per step	0.05mm/step
Lead screw diameter	Φ10mm
Lead screw lead	10mm
Grade	C7(KSS)
Insulation class	B
Insulation resistance	100MΩ(500VDC)
Heat rise	80°C
Motor weight	0.58 kg

Notes,
 1.To maximize output force and life of linear actuators,
 radial load on lead screws should be avoided or be kept at a minimum.

CUSTOMER		NOTICE TO PERSONS RECEIVING THIS DRAWING													
WIRING CHART		EXCITING SEQUENCE				UNLESS OTHERWISE SPECIFIED ALL DIMENSIONS ARE IN MILLIMETERS AND TOLERANCES ARE AS BELOW PER ISO2768-ck.				DRAWN Kevin DATE 2022/12/28		DINGS			
		CW → Red A+ + - Red/wht A- - + Green B+ + - Grn/wht B- - + CCW ←				LINEAR		ANGULAR		APPRVD					
						0~3 ±0.2		0~10 ±1.5°		MODEL		23E2130BS104-100		SIZE A3 SHEET 1 OF 1	
						3~6 ±0.5		10~50 ±1°				SCALE 1: 1		REV 00	
						6~30 ±0.8		50~120 ±30'							
						30~120 ±1.5		120~400 ±15'							