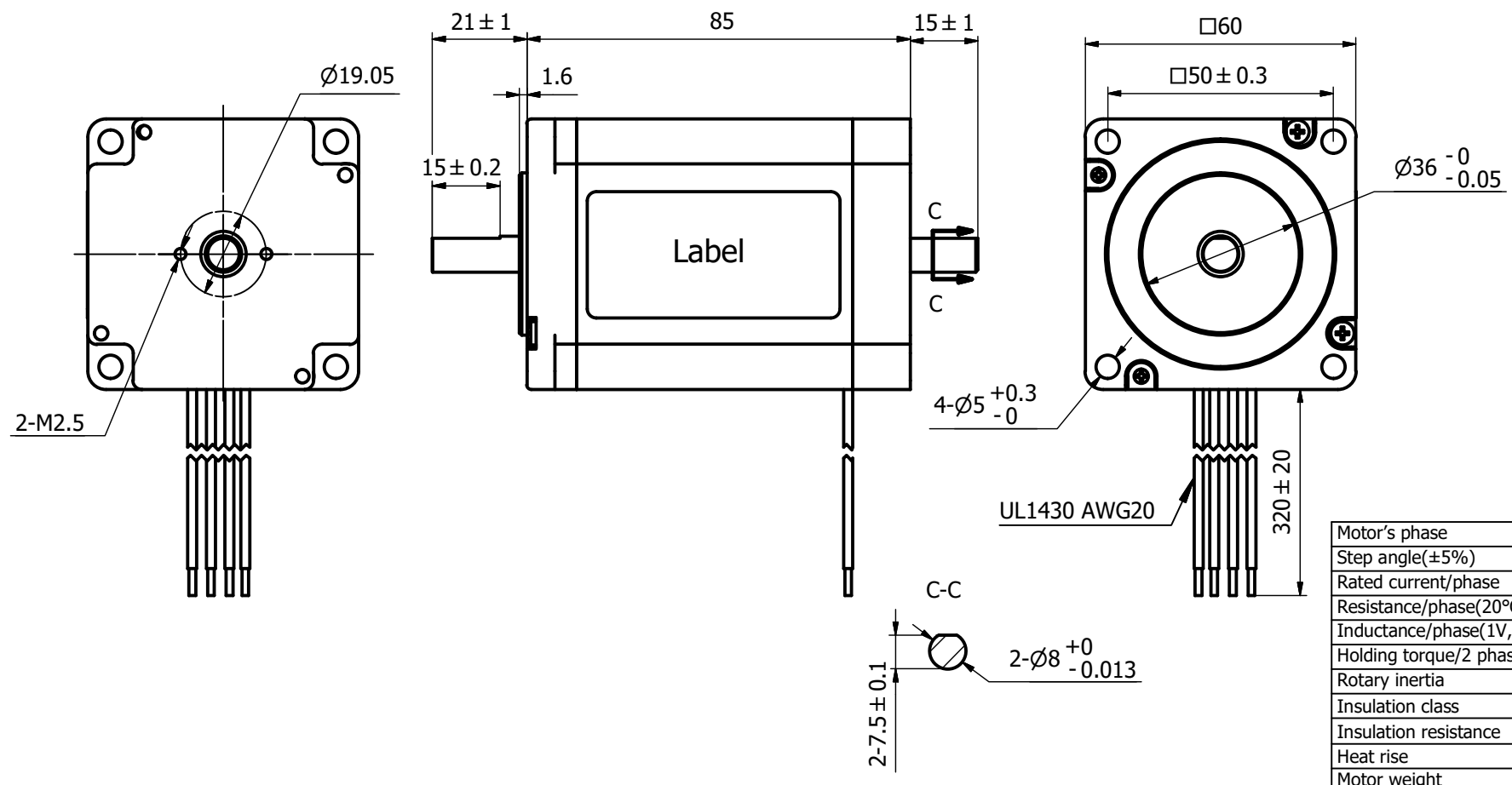


24H2085-500-4BL  
 DINGS' MOTION  
 DATE

CE  
 RoHS

REVISION			
REV.	DATE	DESCRIPTION	DRAWN BY



Motor's phase	2
Step angle( $\pm 5\%$ )	1.8°
Rated current/phase	5.0A
Resistance/phase(20°C)	0.42 $\Omega$ $\pm 10\%$
Inductance/phase(1V,1kHz)	1.8mH $\pm 20\%$
Holding torque/2 phase	3.0N.m
Rotary inertia	690g.cm <sup>2</sup>
Insulation class	B
Insulation resistance	100M $\Omega$ (500VDC)
Heat rise	80°C
Motor weight	1.3kg

NOTICE TO PERSONS RECEIVING THIS DRAWING  
 THIS DRAWING IS ONLY CONDITIONALLY ISSUED, AND FOR THE SOLE PURPOSE OF INFORMING LICENSEES AND ASSOCIATE CONTRACTORS OF DINGS' MOTION, AND VENDORS THERETO AND CUSTOMERS THEREOF, RECEIPT OR POSSESSION THEREOF DOES NOT CONFER TO TRANSFER ANY RIGHT IN THE SUBJECT MATTER OF THE DRAWING. THE DESIGN, CONSTRUCTION, TECHNICAL INFORMATION AND ALL OTHER SUBJECT MATTER SHOWN IN THIS DRAWING ARE AND REMAIN, EXCEPT AS MAY BE OTHERWISE INDICATED BY WRITTEN NOTICE HEREON, THE EXCLUSIVE PROPERTY OF SAID CORPORATION. THIS DRAWING MAY BE REPRODUCED ONLY BY LICENSEES AND ASSOCIATE CONTRACTORS OF SAID CORPORATION AND ONLY FOR LICENSED MANUFACTURE, AND BY VENDORS MANUFACTURING FOR SAID CORPORATION AND ONLY FOR LICENSEES AND ASSOCIATE CONTRACTORS.

<b>CUSTOMER</b>				
<b>WIRING CHART</b>	<b>EXCITATION SEQUENCE</b>			
	CW	→		
	BLK A+	+	-	
	GRN A-	-	+	
	RED B+		+	-
	BLU B-		-	+
CCW	←			

DRAWN	Long	DATE	2022/6/16
	APPRVD	DATE	
MODEL	24H2085-500-4BL		
	UNLESS OTHERWISE SPECIFIED ALL DIMENSIONS ARE IN MILLIMETERS AND TOLERANCES ARE AS BELOW PER ISO2768-ck.		
	LINEAR	ANGULAR	
	0~3	$\pm 0.2$	0~10
3~6	$\pm 0.5$	10~50	$\pm 1^\circ$
6~30	$\pm 0.8$	50~120	$\pm 30'$
30~120	$\pm 1.5$	120~400	$\pm 15'$

**DINGS**

SIZE	A3	SHEET	1 OF 1
SCALE	1: 1	REV	00