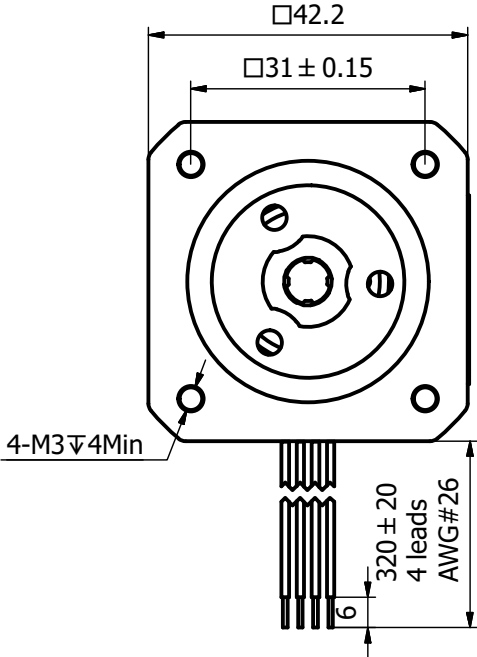
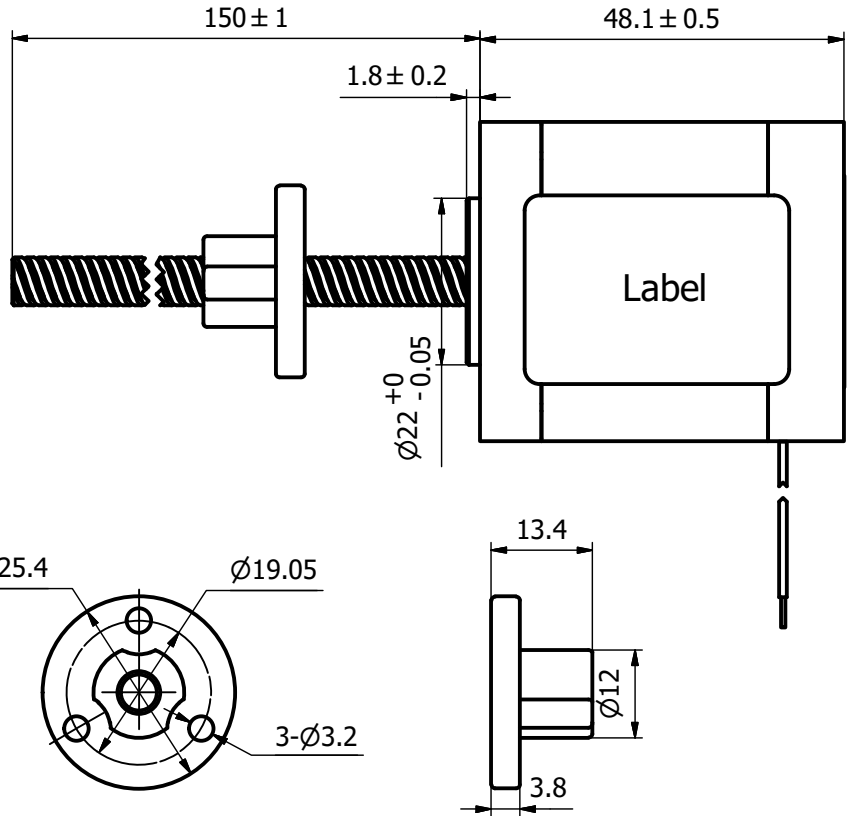
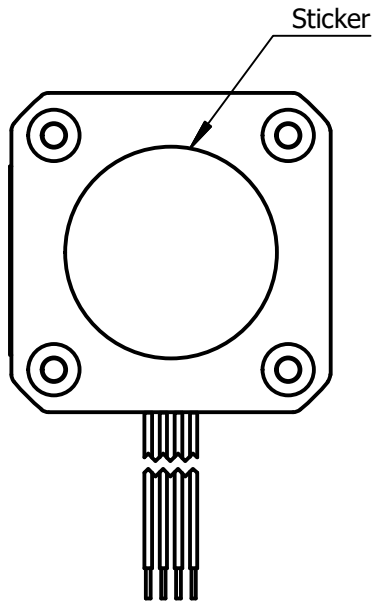


REVISION			
REV.	DATE	DESCRIPTION	DRAWN BY



**Notes,**

1. To maximize output force and life of linear actuators, radial load on lead screws should be avoided or be kept at a minimum.

<b>CUSTOMER</b>		NOTICE TO PERSONS RECEIVING THIS DRAWING THIS DRAWING IS ONLY CONDITIONALLY ISSUED, AND FOR THE SOLE PURPOSE OF INFORMING LICENSEES AND ASSOCIATE CONTRACTORS OF DINGS' MOTION, AND VENDORS THERETO AND CUSTOMERS THEREOF, RECEIPT OR POSSESSION THEREOF DOES NOT CONFER ANY RIGHT IN THE SUBJECT MATTER OF THE DRAWING. THE DESIGN, CONSTRUCTION, TECHNICAL INFORMATION AND ALL OTHER SUBJECT MATTER SHOWN IN THIS DRAWING ARE AND REMAIN, EXCEPT AS MAY BE OTHERWISE INDICATED BY WRITTEN NOTICE HEREON, THE EXCLUSIVE PROPERTY OF SAID CORPORATION. THIS DRAWING MAY BE REPRODUCED ONLY BY LICENSEES AND ASSOCIATE CONTRACTORS OF SAID CORPORATION AND ONLY FOR LICENSED MANUFACTURE, AND BY VENDORS MANUFACTURING FOR SAID CORPORATION AND ONLY FOR LICENSEES AND ASSOCIATE CONTRACTORS.																																																																			
<b>WIRING CHART</b>		<b>EXCITATION SEQUENCE</b>		UNLESS OTHERWISE SPECIFIED ALL DIMENSIONS ARE IN MILLIMETERS AND TOLERANCES ARE AS BELOW PER ISO2768-ck.		DRAWN Aluce DATE 2020/11/12		<b>DINGS</b>																																																													
		<table border="1"> <tr> <td>CW</td> <td colspan="3">→</td> </tr> <tr> <td>Red A+</td> <td>+</td> <td></td> <td>-</td> </tr> <tr> <td>Red/wht A-</td> <td>-</td> <td></td> <td>+</td> </tr> <tr> <td>Green B+</td> <td></td> <td>+</td> <td>-</td> </tr> <tr> <td>Grn/wht B-</td> <td></td> <td>-</td> <td>+</td> </tr> <tr> <td>CCW</td> <td colspan="3">←</td> </tr> </table>		CW	→					Red A+	+		-	Red/wht A-	-		+	Green B+		+	-	Grn/wht B-		-	+	CCW	←			<table border="1"> <thead> <tr> <th colspan="2">LINEAR</th> <th colspan="2">ANGULAR</th> </tr> </thead> <tbody> <tr> <td>0~3</td> <td>±0.2</td> <td>0~10</td> <td>±1.5°</td> </tr> <tr> <td>3~6</td> <td>±0.5</td> <td>10~50</td> <td>±1°</td> </tr> <tr> <td>6~30</td> <td>±0.8</td> <td>50~120</td> <td>±30'</td> </tr> <tr> <td>30~120</td> <td>±1.5</td> <td>120~400</td> <td>±15'</td> </tr> </tbody> </table>		LINEAR		ANGULAR		0~3	±0.2	0~10	±1.5°	3~6	±0.5	10~50	±1°	6~30	±0.8	50~120	±30'	30~120	±1.5	120~400	±15'	<table border="1"> <tr> <td>APPRVD</td> <td>DATE</td> </tr> <tr> <td></td> <td></td> </tr> </table>		APPRVD	DATE			<table border="1"> <tr> <td>MODEL</td> <td>17E22-150</td> </tr> </table>		MODEL	17E22-150	<table border="1"> <tr> <td>SIZE</td> <td>A3</td> <td>SHEET</td> <td>1 OF 1</td> </tr> <tr> <td>SCALE</td> <td>1: 1</td> <td>REV</td> <td>00</td> </tr> </table>		SIZE	A3	SHEET	1 OF 1	SCALE	1: 1
CW	→																																																																				
Red A+	+		-																																																																		
Red/wht A-	-		+																																																																		
Green B+		+	-																																																																		
Grn/wht B-		-	+																																																																		
CCW	←																																																																				
LINEAR		ANGULAR																																																																			
0~3	±0.2	0~10	±1.5°																																																																		
3~6	±0.5	10~50	±1°																																																																		
6~30	±0.8	50~120	±30'																																																																		
30~120	±1.5	120~400	±15'																																																																		
APPRVD	DATE																																																																				
MODEL	17E22-150																																																																				
SIZE	A3	SHEET	1 OF 1																																																																		
SCALE	1: 1	REV	00																																																																		